

KL5M: LI-ION LED MINER'S CAPLAMP WITH SINGLE CHARGER

The KL5M LED Li-ion Caplamp combines latest lighting and battery technologies, resulting in a brighter and lighter caplamp. Its small 0.6kg size and ergonomically efficient design render it much more comfortable than the traditional lead acid cap lamp which was 3 times heavier, associated with the use of lead acid style batteries. There are no dangerous chemicals or heavy metals, no regular maintenance such as topping up of acid, no requirement to replace bulbs and offers a service life three times longer than that of lead acid batteries. The caplamp is manufactured from impact and temperature resistant Makrolon plastic material. When fully charged, it holds its charge until used and will provide 15 hours of continuous light. An over-charge protection system automatically cuts off the circuit to protect the battery, and if the surface of the lamp or the LED is broken it will automatically turn the power off for protection as well. The purpose-designed LED with an upgraded antistatic capacity provides luminous flux of 90-110lm and increased brightness at 7,000-11,000lux. A new radiator significantly reduces the amount of heat experienced in the glass.



There are two LED sources, Main LED and Auxiliary LED. They both are packed in a single LED bulb. Each LED is powered by own circuit driver. The Main LED is a spot light in a high intensity for general illumination. The Auxiliary LED is a flood light in a low intensity for emergency and low illumination. You can choose the Main illumination, Auxiliary illumination or switch the caplamp off by pressing the push button. For added safety it incorporates a low battery warning function with the last hour of discharge flashing every 5-10 seconds to warn the user.



Every lamp comes with a single charger in the package to charge the lamp from Mains power.

Features

Safety: Sealed battery case, short-circuit protection, LED light head lamp with anti-static housing making it explosion proof.

Reliability: Optimum tough design, solid LED light utilising highly efficient IC drivers guarantee the product is durable and strong. The durable Li-ion battery with over charge protection system means this Caplamp is suitable for operation under the harshest mining conditions.

Portability: Small size, lightweight, ergonomically designed, maintenance free, simple charging, easy operation, making this Caplamp all too easy, winning praise across the mining industry.

Efficiency: The light provides bright, clear, cooler light. The minimum luminous intensity is 7000-11000lux (at a distance of 1m). The quality of the light is maintained throughout the entire 15 hour discharge cycle. The battery has a life cycle in excess of 1200 charges and discharges.

Environment: The KL5M is an environmentally friendly product as per RoHS Directive, and is made of non hazardous materials.

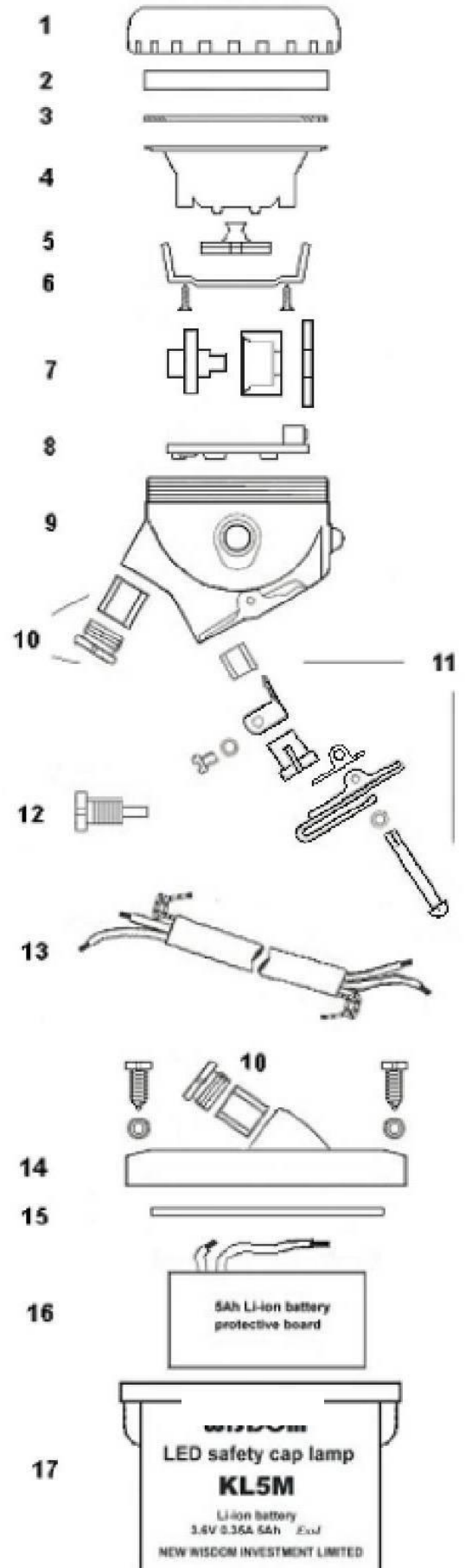
Economical: The KL5M Caplamp is an efficient, high-powered LED lamp with a service life of over 30,000 hours. No incandescent globes to replace eliminating costly labor and replacement parts which previously dogged traditional lead acid battery caplamps.

Specifications

Battery capability:	>5.5Ah
Rated voltage:	3.8V
Operating period:	15h
Main Power:	1W
Main luminous flux:	100Lm (90-110Lm)
Main luminous intensity:	7000-11000 cd
LED life-time:	30000h plus
Battery life:	Over 1200 recharges
Charging time:	6h-8h
Battery dimensions:	76x31x79mm
Weight:	0.6kg

Part Drawing

- 1 Head piece cover
- 2 Head piece glass
- 3 Sealed ring of the head piece cover
- 4 Reflector
- 5 LED lights (Main LED and Auxiliary LED)
- 6 Radiator
- 7 Push button
- 8 Main circuit board
- 9 Head piece chamber
- 10 Cable fastening parts
- 11 Cap lamp clip parts
- 12 Lock screw of the head piece cover
- 13 Main cable
- 14 Cover of the battery pack
- 15 Sealed ring of the battery pack
- 16 Li-ion battery with protective board
- 17 Battery pack



NWB-15D: Dual Power Portable Charger

The NWB-15D Dual Power Portable Charger can be powered from a mains supply or the cigarette lighter of a vehicle. Its small size and strong lightweight quality aluminum construction make it convenient to carry. The circuit board design maximises safety and reliability goals. NWB-15D is an optional accessory.

User Guide

1. Connect the plug lead to the AC power-point supply then turn on the power or insert the plug into the socket of the vehicle cigarette lighter. The charger indicator shows green indicating the presence of power.
2. Insert the caplamp headpiece into the plug of the charger; turn 180 degrees clockwise until the anode contacts firmly with the charger cathode. The charger indicator will turn red indicating it is charging.
3. After approximately 7 hours, once charging is complete, the charger indicator will turn green. The Caplamp can be removed for use.



Specifications

- Input: AC85~265V, 50-60Hz or DC6~30V
- Output: DC4.30, 1500mA
- Size: 125 x 55 x 80mm
- Weight: 0.3kg

NWCR Series Charging Racks

NWCR series Charging Racks are specifically designed to charge KL5M caplamps. The Rack incorporates an advanced switching supply which automatically regulates the charging process, saving time and labour with minimal maintenance required.

Features

1. Automatically changes from constant current to constant voltage charging, automatically regulates charging, automatic cut off-circuit prevents overcharge.
2. Highly efficient charging saves time and energy with little rise in temperature of the Li-ion battery so ensuring a longer life.
3. The special circuit design allows wide-range voltage input and tolerates power net fluctuations.



Specifications

Number	Unit	Input	Output	Power	Weight	Dimensions
NWCR-102	102 Unit	AC85V-265V	4.30V, 1.5A x102	1500W	175kg	171x185x36cm
NWCR-60	60 Unit	AC85V-265V	4.30V, 1.5A x60	1000W	125kg	171x115x38cm
NWCR-12	12 Unit	AC85V-265V	4.30V, 1.5A x12	180W	19kg	98x30x23cm

ROOBUCK

Charge your KL5M on the Go!

NWB-15D: Dual Powered

Charge from car cigarette lighter socket or from mains power



The perfect choice for individual caplamp users